

# GX Range - Window / Surface Wall Fans

## Key Features

<b>Application:</b>	Pubs, restaurants, offices, kitchens, factories, schools & shops.
<b>Control options:</b>	for 9" & 12"
<b>Humidity:</b>	XRH controller
<b>Movement:</b>	XPIRA
<b>Speed:</b>	FR22/30 single fan (2 speeds) EC6 group controller (variable speed)
<b>Time delay:</b>	DT20



## XPELAIR GX6

The Xpelair GX6 models are designed for use in kitchens and utility rooms and can be window or panel mounted. Bathroom surface wall mounted using optional extra long ladder strips. (2 for GX6, 3 for GX9, 4 for GX12).

A tamper-proof positive plug and socket assembly provides a means of isolation for service access.

Installation in a 25mm window or panel using standard metal ladder strips.

If installed in panels or walls thicker than 25mm, then use GXL20/50 extended ladder strips to enable connection of outer grille to inside of fan.

Both the GX9 and GX12 models are reversible and feature a totally enclosed external rotor motor providing constant volume outputs, even in gusty weather.

Pre-balanced impellers eliminate "fan judder" and ensure quiet trouble free operation. Sealed for life maintenance free bearings ensure suitability for running at any angle. Running costs are impressively low, and when not in use the silent electro-thermal shutter cassette closes silently against backdraughts.

All models are and suitable for 220V-240V 50Hz mains operation.

Class B insulation for operation in ambient temperatures up to 40°C and are fitted with a thermal cut out.

## Specifications

		GX6	GXC6	GX9	GXC9	GX12
UK reference number:		90800AW	90850AW	89994AW	89995AW	90012AW
Remote switch (supplied seperately):		X	-	X	-	X
Integral pullcord:		-	X	-	X	-
Extract performance (m³/h)	high:	266	266	636	520	1546
Extract performance (m³/h)	low:	-	-	546	-	1091
Extract performance (l/s)	high:	74	74	171	145	429
Extract performance (l/s)	low:	-	-	151	-	303
Hole diameter (mm)	window mount:	184	184	257	257	324
Sound pressure level (dB (A)@3m)	high:	37	37	50	44	55
Electrial power rating (W):		30	30	41	32	85
Weight (kg):		1.9	1.9	4	4	7.9

# GX Range - Window / Surface Wall Fans

## Differences In Models

### GX6 Ref. 90800AW

- Automatic shutters.
- Connect to light switch or separate On/Off switch.
- Cannot be used with speed controller.

### GXC6 Ref. 90850AW

- Pullcord switches fan On/Off and opens shutter.
- Extract only.

### GX9 Ref. 89994AW

- Variable speed use with EC6.
- 2 Speed if used with FR22/30 controller.
- Automatic shutter.
- Intake & extract.
- Connect to light switch or separate On/Off switch.

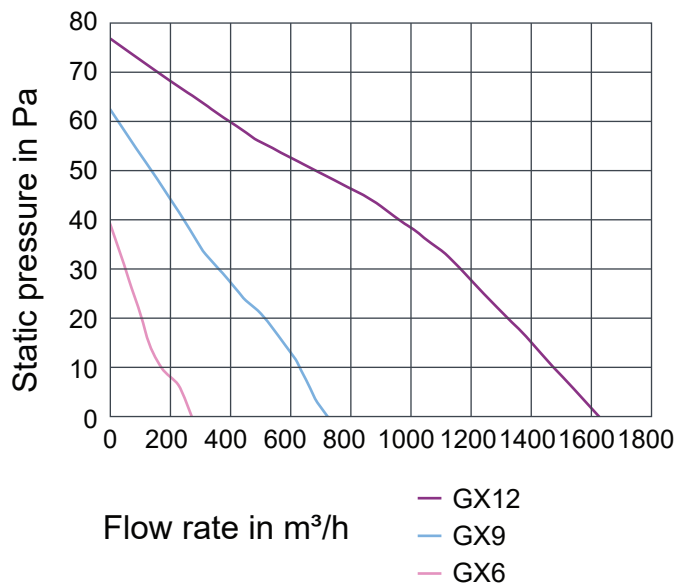
### GXC9 Ref. 89995AW

- Single speed.
- Pullcord switches fan On/Off and opens shutter.
- Extract only.

### GX12 Ref. 90012AW

- Variable speed use with EC6.
- 2 Speed if used with FR22/30 controller.
- Connect to light switch or separate On/Off switch.
- Intake & extract.
- Automatic shutter.

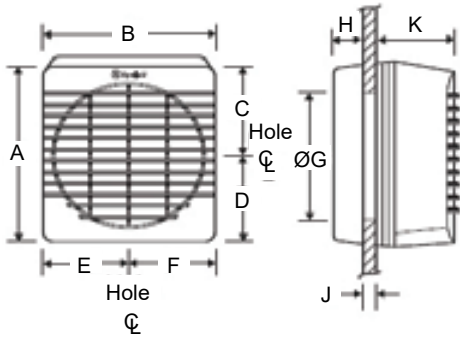
## Performance



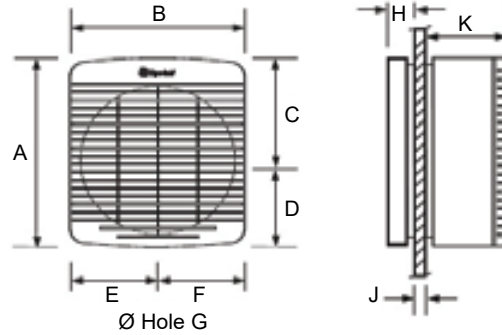
# GX Range - Window / Surface Wall Fans

## Dimensions (mm)

6" Range

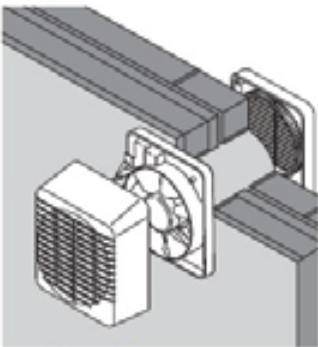


9" & 12" Range

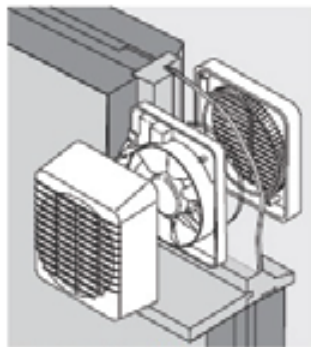


Model:	A	B	C	D	E	F	G	H	J	K
6":	226	210	119	107	109	101	184/203	32	4-25	112
9":	312	294	165	147	147	147	257/266	32	4-25	117
12":	408	380	216	192	190	190	324/3300	34	4-25	161

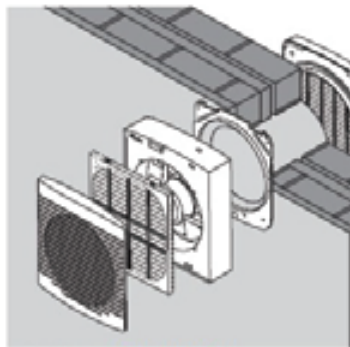
## Installation and Accessories



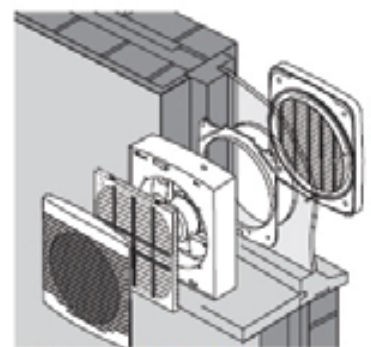
6"  
Wall mounting



6"  
Window mounting



9" & 12"  
Wall mounting



9" & 12"  
Window mounting

6.

**Hole diameter:**

- 184mm dia. if used with ladder strips.
- 203mm dia. if used with WK6/11 wall kit.

9.

**Hole diameter:**

- 257mm dia. if used with ladder strips.
- 266mm dia. if used with WK9/11 wall kit.

12.

**Hole diameter:**

- 324mm dia. if used with ladder strips.
- 330mm dia. if used with WK12/11 wall kit.